

Cross

A very Unique approach for a four legged chair - taking full advantage the strength of plywood held up by a small hidden metal bar that enabled to Cross the legs. A light and easy dining / café chair.



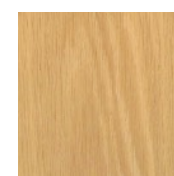
Designer Arne Hovmand-Olsen
Year 1950s

Category Dining Chair
Model No. HO041
Usages Chair for dining, meetings, conference and private use.

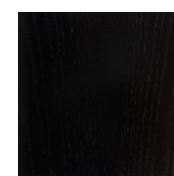
Materials The Cross chair is hand-crafted with FSC certified American white oak frame. The chair comes in three frame color variations; Natural, Black and Walnut. Seat pad available on requests.

Dimensions Size: W495 x D510 x H778 mm
Seat height : 435 mm

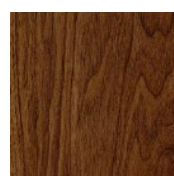
Oak Frames



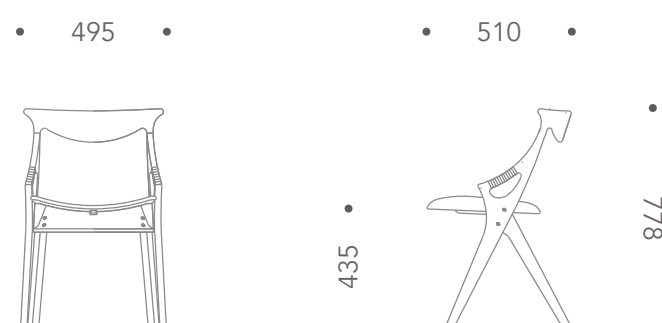
Natural



Black Paint



Walnut Stain



*Customer own fabrics and leathers available on requests
*Seat pad could be available on requests. Consult us for MOQ